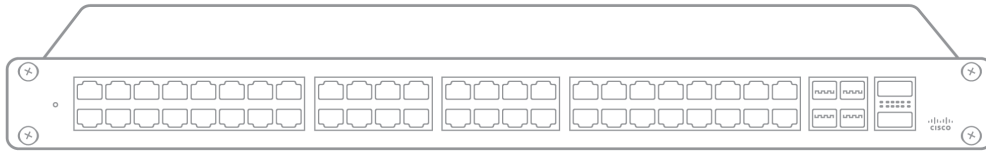


MS355 Series Installation Guide

Models

	MS355-24X	MS355-24X2	MS355-48X	MS355-48X2
1Gbe RJ45	16	-	32	24
mGbe RJ45	8	24	16	24
10Gbe SFP+	4	4	4	4
40Gbe QSFP+	2	2	2	2
100G Hardware Stack Port	2	2	2	2
Dedicated Mgmt Interface	1	1	1	1
UPoE Capable	Yes, 740W	Yes, 740W	Yes, 740W	Yes, 740W
Hot Swap Power Supply	Yes, Dual	Yes, Dual	Yes, Dual	Yes, Dual
Hot Swap Fans	Yes, 3x	Yes, 3x	Yes, 3x	Yes, 3x

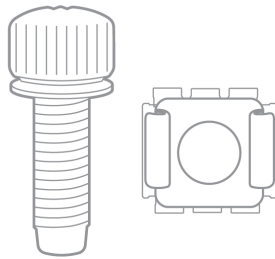
Package Contents



2x



8x



US12-24 10x

M5 10x

M6 10x



20x



2x

In addition to the MS switch, the following are provided (mounting kit provided with 1U models only):

- 4-post Rack Mount Kit includes:
 - US 12-24 mounting screws and cage nuts, 10 of each
 - INTL M5 mounting screws and cage nuts, 10 of each

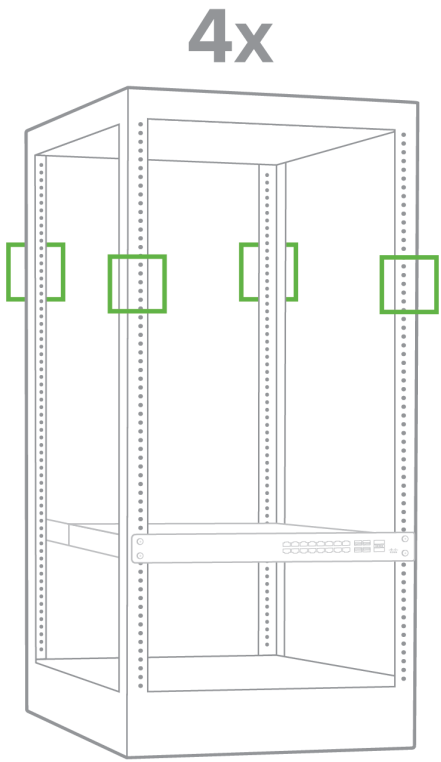
- INTL M6 mounting screws and cage nuts, 10 of each
- Mounting washers
- 2 Rack mount rails
- Rail kit screws
- 1025WAC Power Supply Unit
- 3 Pre-installed Fans

Installation Instructions

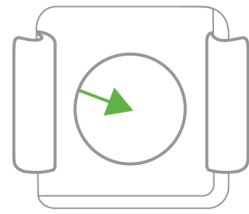
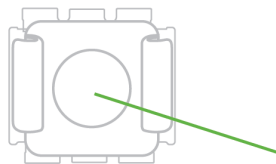
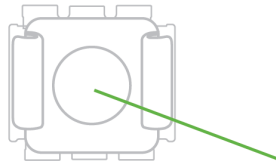


Note: Each MS355 comes with an instruction pamphlet within the box. This pamphlet contains detailed step by step guides and images to assist in the physical install of the switch.

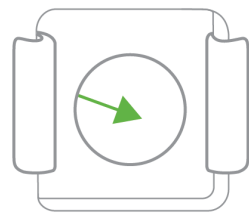
1. Install the mounting cage nuts in the rack being used for the switch.



1



31

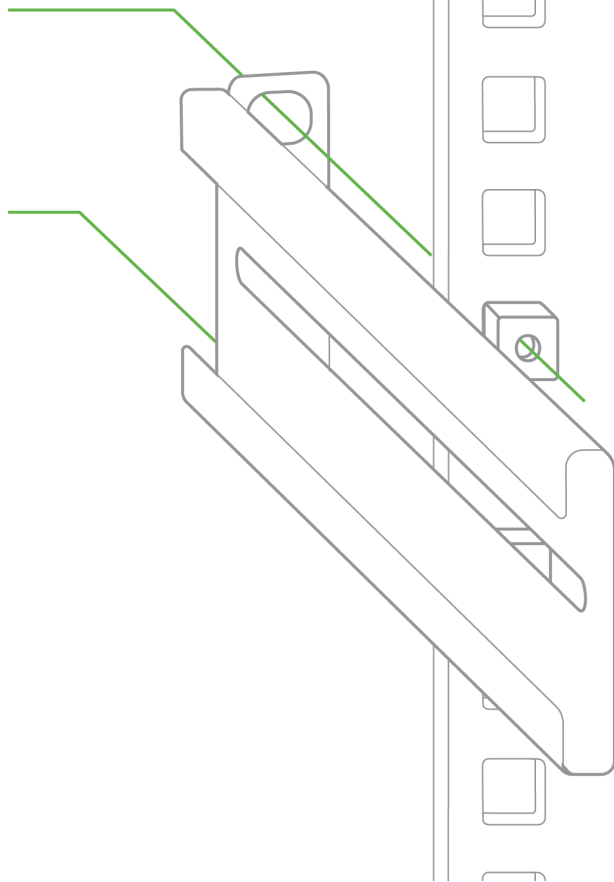
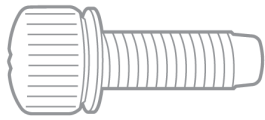
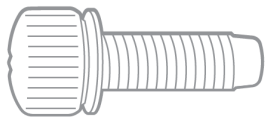
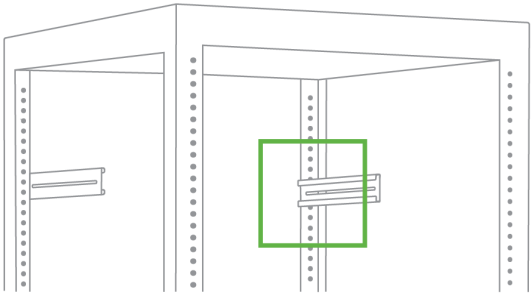


32



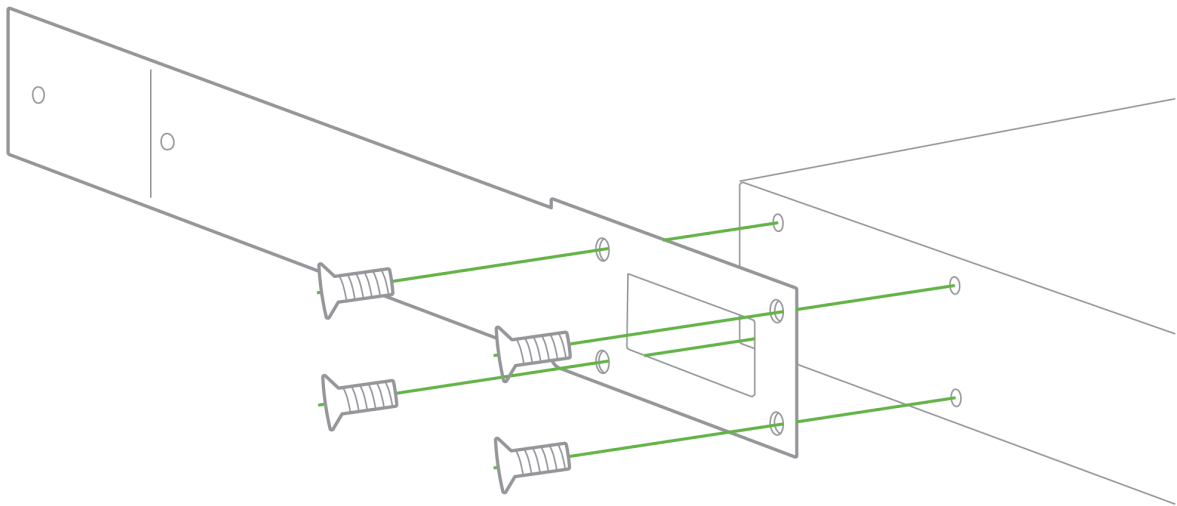
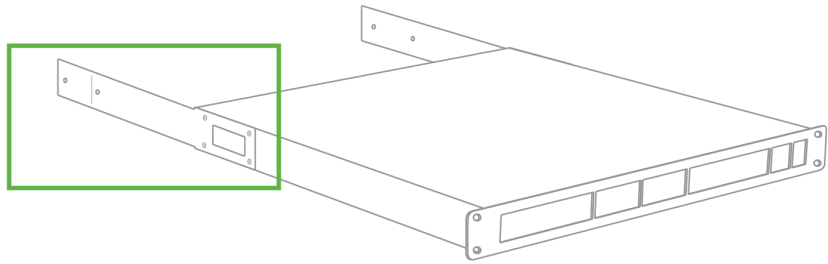
2. Separate the rack mount rails, and install the rack mount rails channel onto the rack.

2



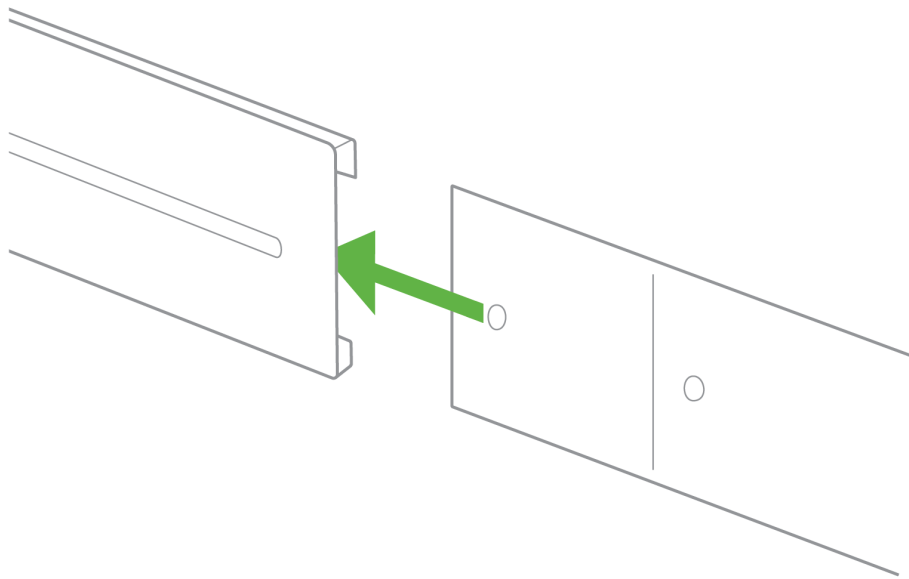
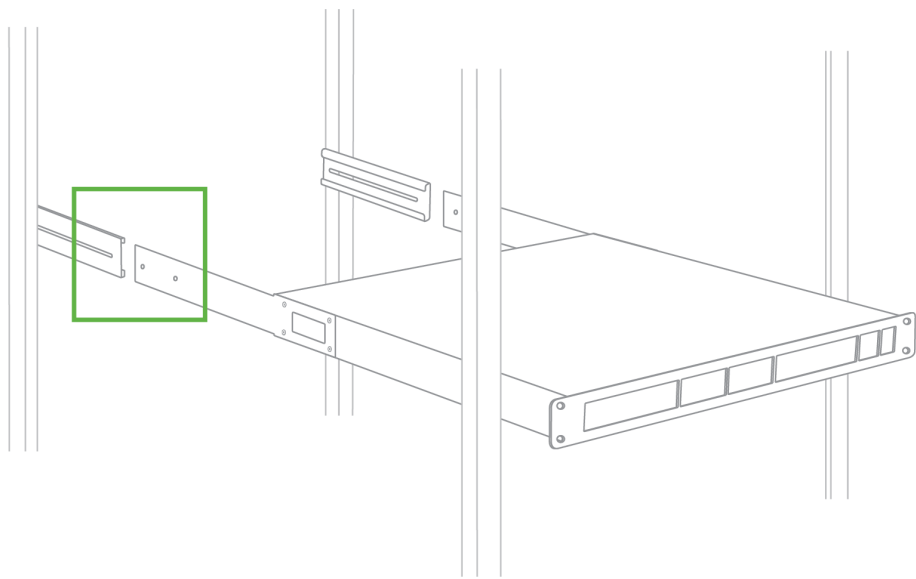
3. Attach the rack mount rail to the sides of the switch.

3

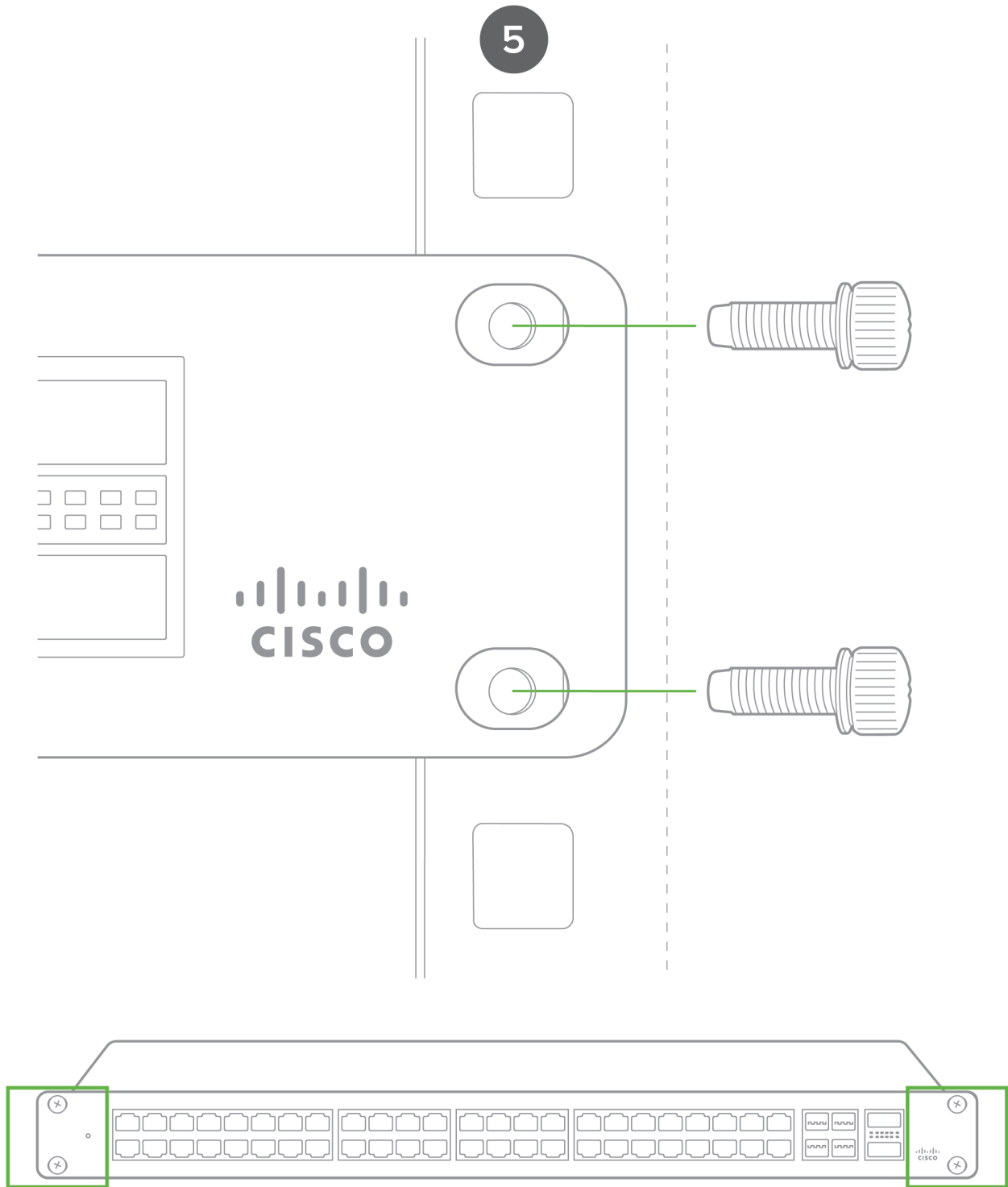


4. Insert the rack mount rail into the rack mount rail channel.

4

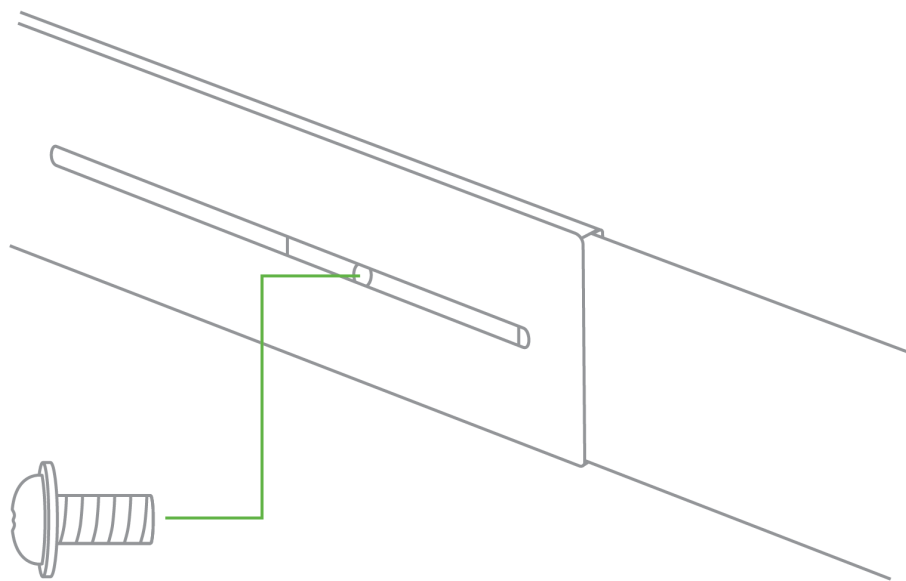
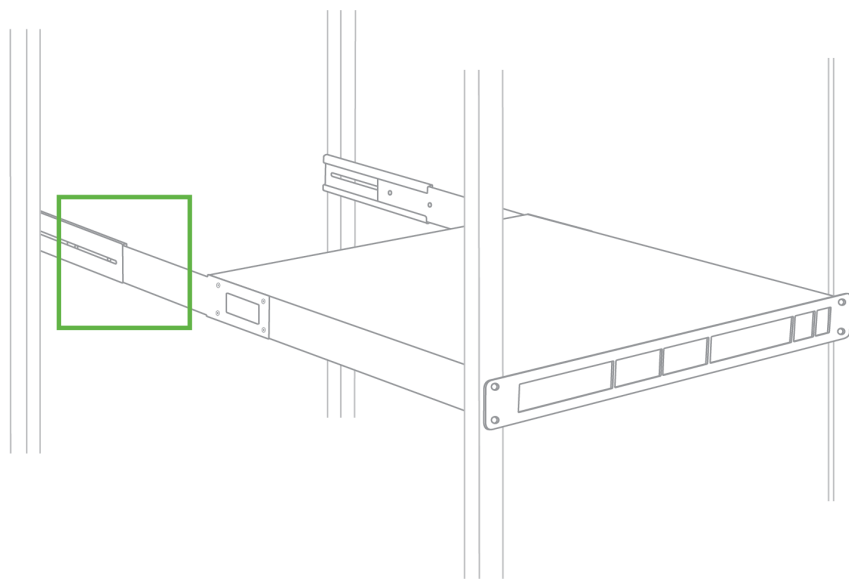


5. Attach the switch face plate to the cage nuts on the rack.



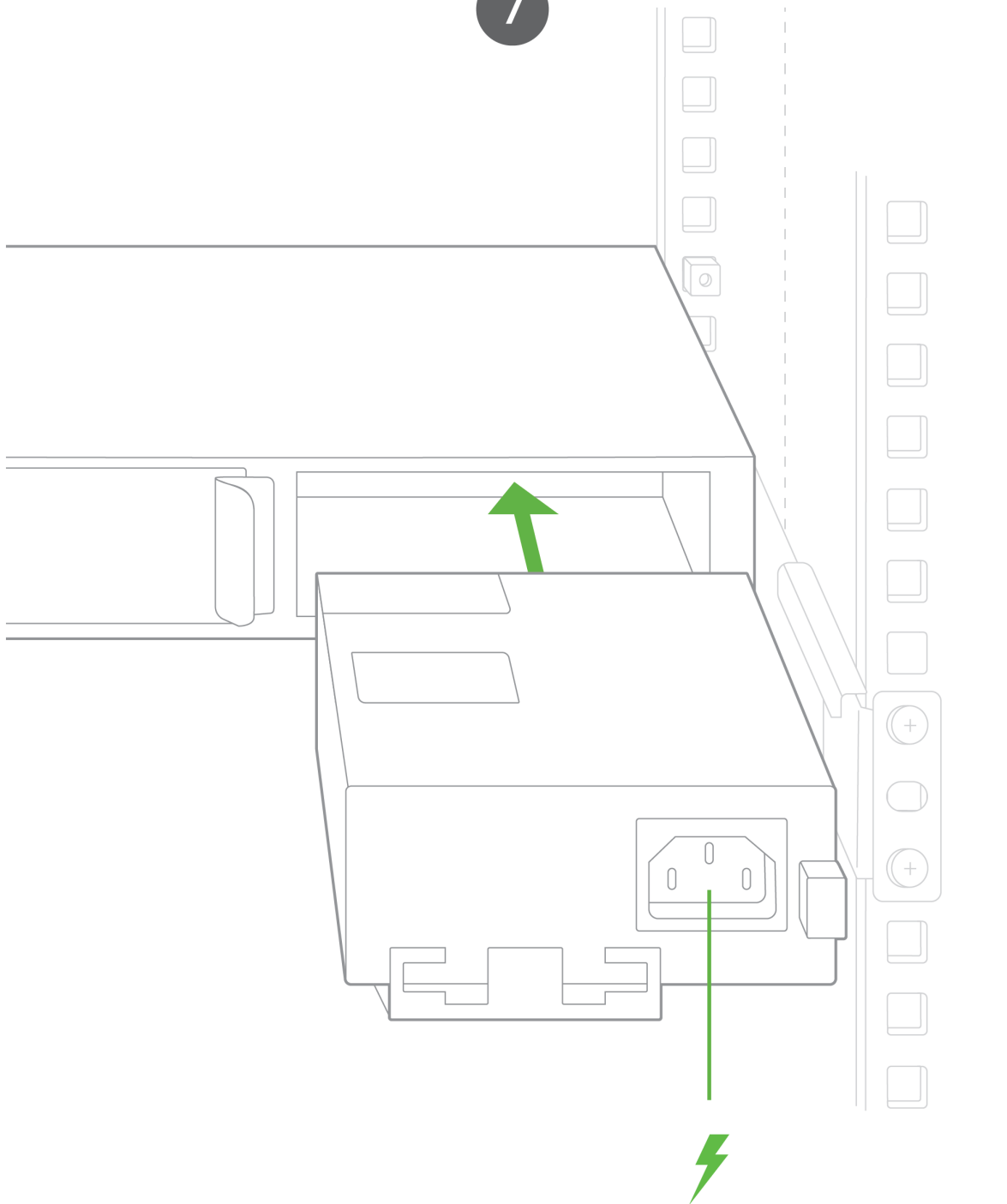
6. Secure the rack mount rail to the rack mount rail channel.

6



7. Insert the power supply unit into the back of the switch. After it has been securely installed, you can connect power to the power supply unit.

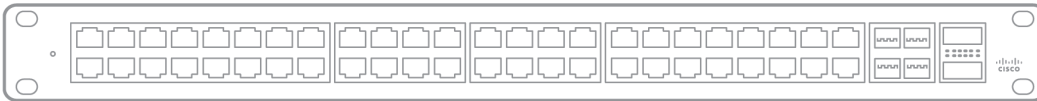
7



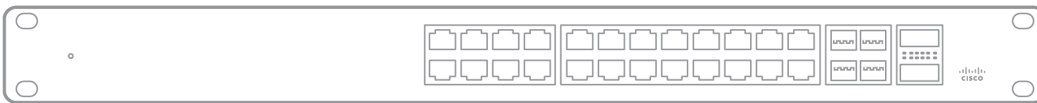
8. (Optional) Install additional SFP+, QSFP+ or QSFP28 units as needed, depending on the compatibility of your model.

8

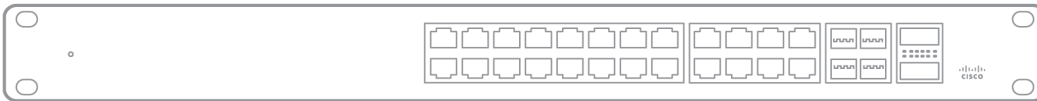
MS355-48X2-HW
MS355-48X-HW



MS355-24X2-HW



MS355-24X-HW



MS450-12-HW



PoE



SFP+



QSFP+



QSFP28

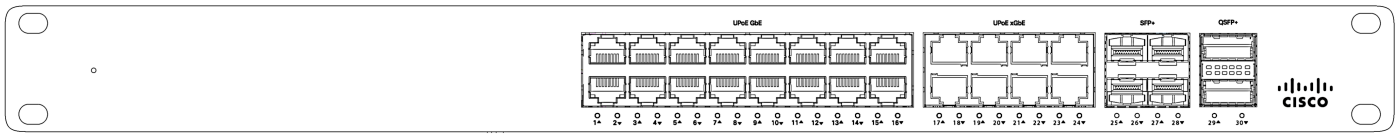


dashboard.meraki.com

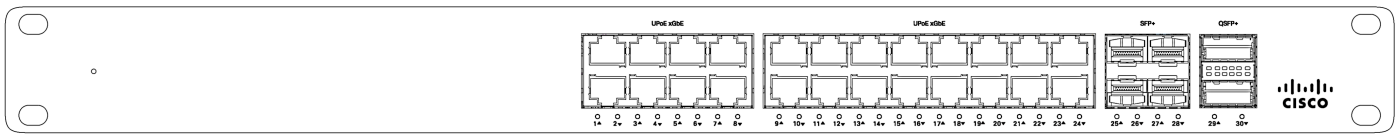


docs.meraki.com/ms

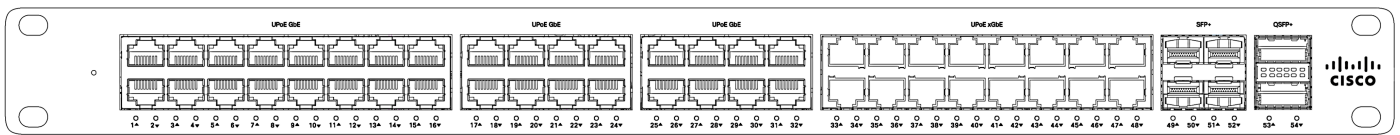
MS355-24X Series Front Panel



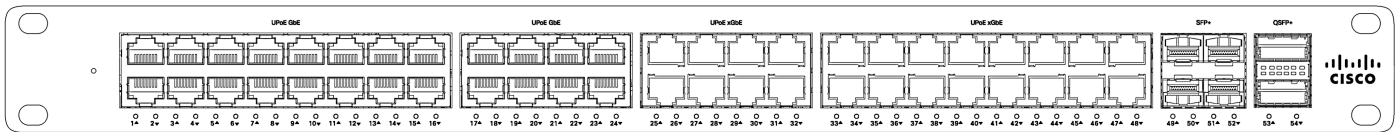
MS355-24X2 Series Front Panel



MS355-48X Series Front Panel



MS355-48X2 Series Front Panel



Ports and Status Indicators

The MS uses LEDs to inform the user of the device's status. When the device powers on, all the Internet LEDs flash twice. Additional functions are described below, from left to right.

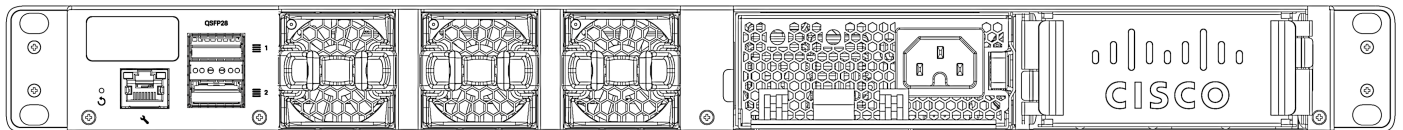
Item	Function	LED Status	Meaning
1	Power	Solid orange	Switch is unable to connect to the Meraki cloud
		Flashing white	Firmware upgrade in process
		Solid white	Switch is fully operational and connected to the Meraki cloud
		Off	Switch does not have power
2	Switch Ports	Off	No client connected
		Solid orange	10/100 Mbps (1000 Mbps on SFP+)
		Solid green	1000/2500/5000/10000 Mbps (10000 Mbps on SFP+)

Additionally, there is a RESTORE button available on the back panel.

Insert a paperclip if a restore is required.

- A brief, momentary press: To delete a downloaded configuration and reboot.
- Press and hold for more than 10 sec: To force the unit into a full factory restore.

MS355 Series Back Panel



Item	Function	LED Status	Meaning
1	Restore	N/A	Restore button to clear switch IP and local configuration settings
2	Management Interface	Green	Connected, used for easy access to the local status page
3	Stack Ports	N/A	Stack Cables are connected here
4	Redundant Fans	Green	Active and operational
5	Redundant Power Supplies	Green	Active and functional power supplies

Power input	Power cords may be ordered separately.
-------------	--

Equipment is to be used only in a restricted access location and installed/operated only by trained service personnel.

Bringing your Stack Online

MS355 switches can be connected in a physical stack using dedicated stacking ports and cables. Configuration steps and additional information about stacking can be found in our [Switch Stacking Article](#).